

**xTOOL Concealed thermostat module without volume control -**

35 503 970 90



- red brass, lead-free
- 2x back flow preventer
- 2x female thread 3/4" connections
- 2x female thread 3/4" outlet for additional valves
- dust cover
- anti-water packing
- soundproofing
- suitable for xGRID (when using installation track + 12 mm recess depth)

**Recommended miscellaneous**

**Extension 28 mm -**

12 177 970 90



**Recommended miscellaneous**

**Extension 46 mm -**

12 178 970 90



**Recommended miscellaneous**

**Drybox Thermostat module  
without volume control -**

39 503 970 90

- Overflow is part of the scope of delivery.



**Recommended miscellaneous**

**xGRID Attachment set for  
integrating in the dry wall  
construction -**

12 340 970 90



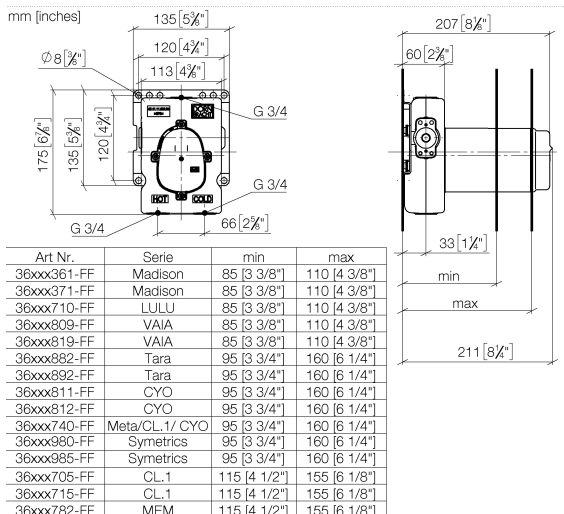
**Required miscellaneous**

**xGRID Installation track 555 mm -** 12 360 970 90



## xTOOL Concealed thermostat module without volume control -

35 503 970 90

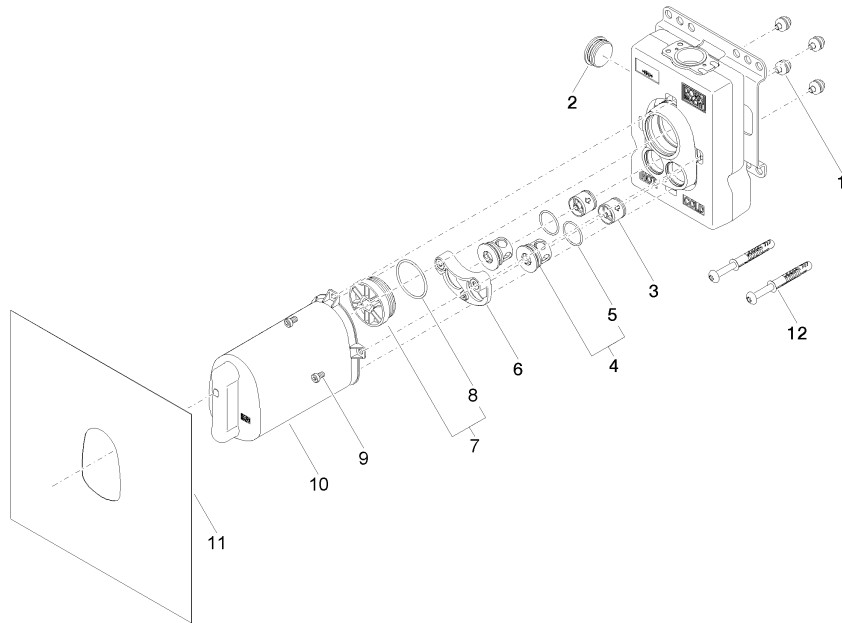


### Certificates

Belgaqua\_21-031- ACS\_21 ACC LY 141. DVGW\_DW-27\_6. 6512DN0706.

**xTOOL Concealed thermostat module without volume control -**

35 503 970 90



**Spare parts list**

No.	Item Number	Name	Quantity used	Delivery time
1	90 23 01 091 00 90	set	4	2
2	09 31 20 003 90	plug	1	2
3	90 23 01 045 00 90	back-flow preventer	2	2
4	04 21 34 077 00 90	nipple	2	2
5	09 14 10 098 90	seal	2	2
6	90 12 12 218 00 90	base	1	2
7	04 31 20 100 00 90	plug	1	2
8	09 14 10 111 90	seal	1	2
9	09 30 30 112 90	screw	3	2
10	04 21 02 174 01 90	cap	1	2
11	04 14 03 073 04 90	gasket kit	1	2
12	04 30 31 054 00 90	fixing set	1	2